

- o Flat Cable Connectors SEK
- o *har-mik®*
- o D-Sub
- o InduCom

➔ Applications



Product details

09 45 145 1100 HARTING PushPull RJ45 (V4)

Series	HARTING PushPull RJ45 (V4)
Housing material	Plastic, black
Protection level	IP 65 / IP 67
Mating interface	RJ 45 in acc. to IEC 60603-7
Temperature range	-40 °C ... + 70 °C
Mating cycles	mind. 750
No. of contacts	4-pole, Category 5
Cable diameter	6.5 mm - 8.6 mm
RoHS compliant	Yes

Available Downloads

Title	Format	
Data sheet	PDF	↓ download
CAD data 2D	DXF	↓ download
CAD data 3D	IGES	↓ download

Inquiry

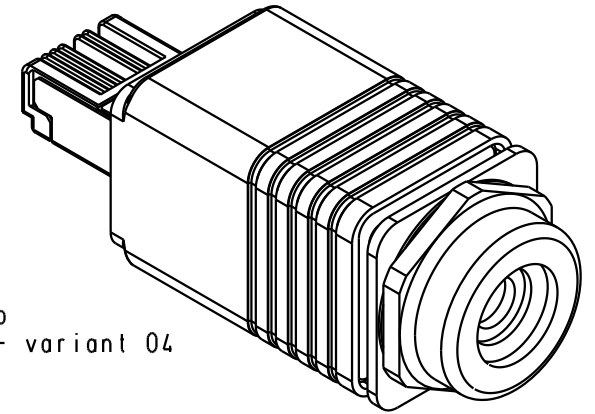
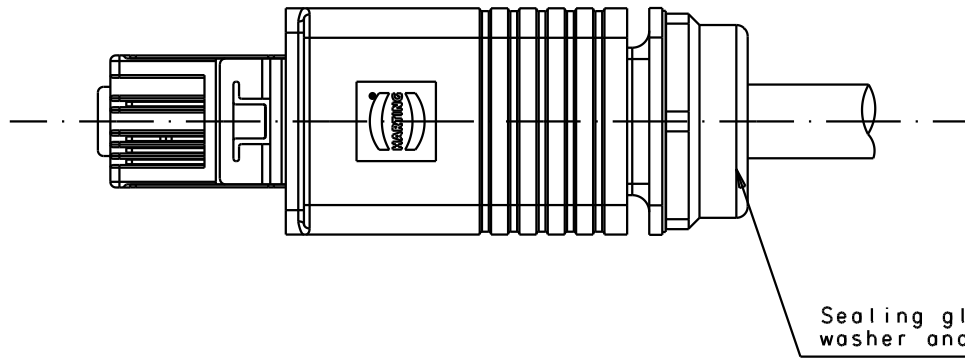
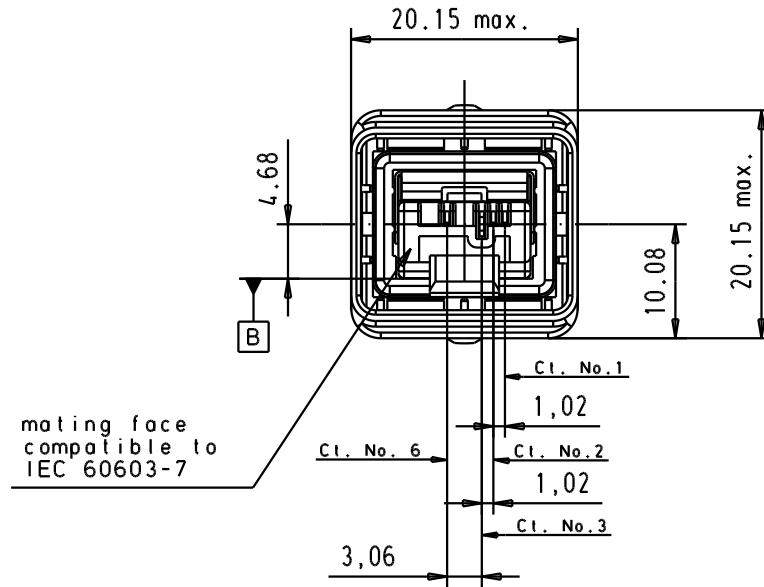
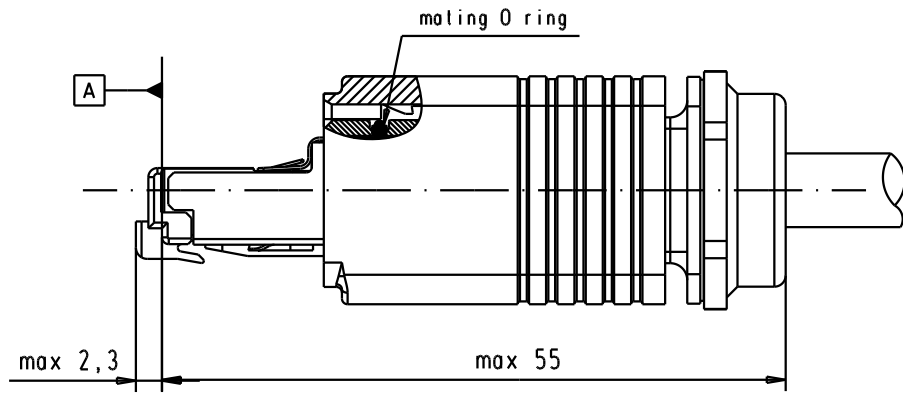
5

4

3

2

1



Plug according to 61076-3-106 IEC - variant 04

Cable diameter : 6.5 to 7.2 mm
 AWG 22 to AWG 23 Solid &
 AWG 22 to AWG 24 Stranded
 With wires O.D max. 1.6mm.

09 45 145 1100
 Part Number

Au: 1.27 μm over nickel
 Data contact plating

33265	15/11/05	AM			
31554	08-Oct-03	JFB			
31394	18-fec-03	PP			
Mod.	Dat.	Name			

HARTING EURL
 F-95972 Paris



All Dim. in mm
 Orig. Size DIN A 4



RJ-Industrial
 Push pull thermoplastic
 IP67 shielded Plug with
 4 datas contacts

TB 09 45 145 1100

Sub. RP 090182-27-0X

Maßstab/
 Scale

1.5:1

Blatt/ Page

1/1